



LD1.0

HART® & 4 to 20 mA

ECONOMIC CAPACITIVE PRESSURE TRANSMITTER

FOR PRESSURE AND LEVEL APPLICATIONS

- **± 0.2% Accuracy**
- **HART Communication Protocol - Version 5**
- **Several Pressure Ranges up to 150 bar**
- **50:1 Rangeability**
- **Zero and Span Local Adjustment with Magnetic Tool**
- **Configuration via HPC401, CONF401 and others**
- **Supports FDT/DTM and DD/EDDL**



- Industrial Process Measurement and Control;
- Pneumatic and Hydraulic Systems;
- Pumps and Compressors;
- Machine and Machining Tools;
- Polyethylene Production Plants.

Features

- $\pm 0.2\%$ Accuracy;
- 4-20 mA Output Sign according to NAMUR NE43;
- HART Communication Protocol - Version 5;
- Several Options of Process Connections;
- DIN type cable gland Electric Connection - Without Polarity;
- Several Pressure Ranges up to 150 bar;
- 50:1 Rangeability;
- Overpressure: 70 bar (Range 1), 138 bar (Ranges 2, 3 and 4) and 200 bar (Range 5);
- Operation Temperature: - 40 to 100 °C;
- Response Time 200 ms;
- Zero and Span Local Adjustment with Magnetic Tool;
- Intrinsically Safe - Certification Pending;
- Configuration Protection with Password;
- Housing Material in 17-4PH / AISI316L;
- Diaphragm Material in Hastelloy C276;
- Fill Fluid in Silicone;
- Small and lightweight;
- Configuration via HPC401, CONF401 and others;
- Supports FDT/DTM and DD/EDDL;
- Environmental Protection IP68.



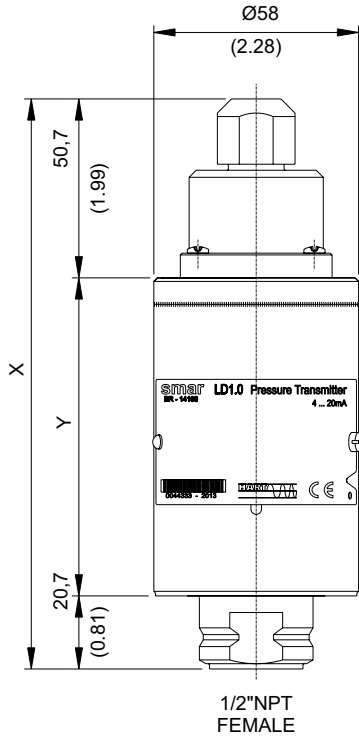
Description

The Smar **LD1.0** is an Economic Capacitive Pressure Transmitter and was designed for liquid, gas and steam gauge pressure measurement in several industrial applications.

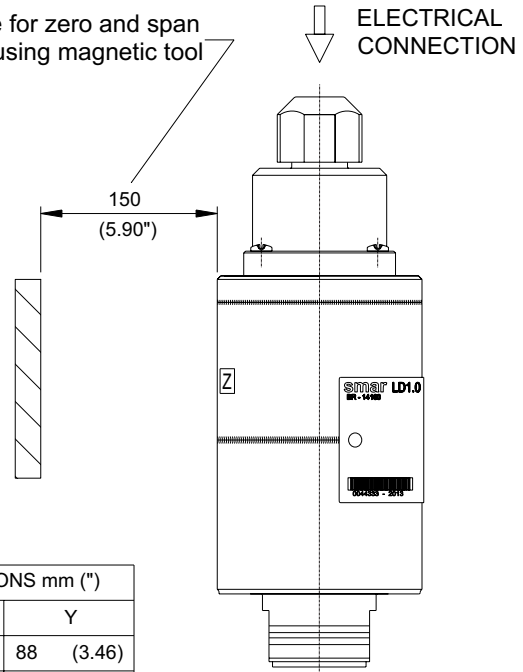
This low price transmitter is the only one in the category in the market using capacitive cell technology as pressure sensor doing the pressure reading in a completely digital way.

Being a sensor of high reliability and robustness it is used in more than 80% of the high performance pressure measuring in the world, since it provides excellent accuracy, repeatability and linearity for the measurement.

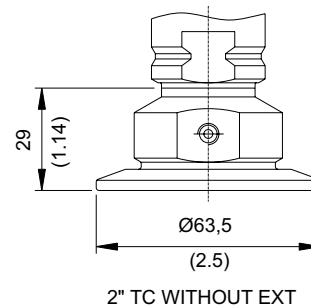
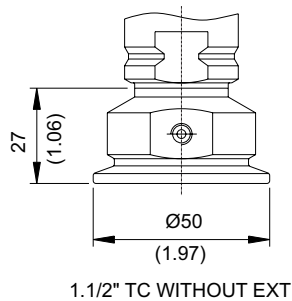
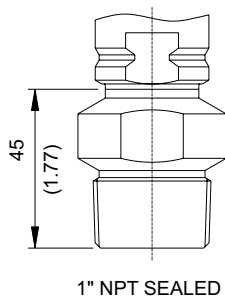
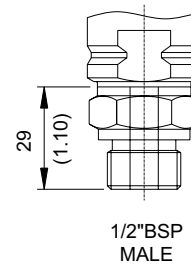
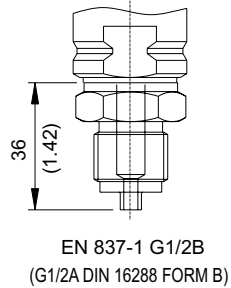
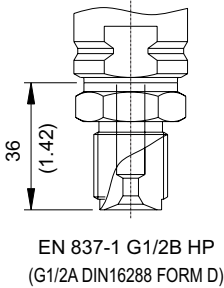
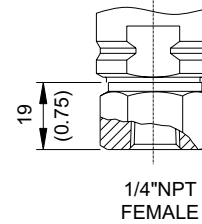
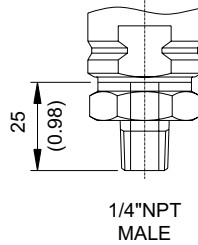
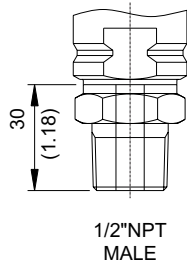
The **LD1.0** Pressure Transmitter production and mounting features provide resistance to vibration, shock, great temperature variations, immunity to electromagnetic interference and other extreme environmental conditions that are typical in industrial applications.



Allow minimum space for zero and span adjustment using magnetic tool



RANGE	DIMENSIONS mm (")	
	X	Y
1 - 2 - 3	159,5 (6.28)	88 (3.46)
4	161,5 (6.36)	90 (3.54)
5	164 (6.45)	92,5 (3.64)



MODEL		INTELLIGENTE PRESSURE TRANSMITTER				
LD1.0		Economic Capacitive Pressure Transmitter (1)				
COD.	TYPE	Range Limits			Turn Down	
		Min.	Max.	Unit	Max.	
M1	Gage	-50	50	mbar	10	
M2	Gage	-500	500	mbar	50	
M3	Gage	-1000	2500	mbar	50	
M4	Gage	-1	25	bar	50	
M5	Gage	-1	150	bar	50	
COD. Process Connection						
1	1/2" - 14 NPT - Female					
2	1/4" - 18 NPT - Male					
3	1/4" - 18 NPT - Female					
D	Triclamp 2"					
F	Triclamp 1 1/2"					
G	G1/2" A DIN 16288 Form B Male					
H	G1/2" A DIN 16288 Form D Male					
M	1/2" - 14 NPT - Male					
U	1/2 BSP - male					
X	1" - 11.5 NPT - Sealed					
Z	User's specifications					
COD. Process Connection Material						
H	Hastelloy C276		I	AISI 316L SST		
Z	User's specifications					
COD. Digital Display						
0	Without Display					
COD. Communication Protocol						
H	HART®					
COD. Identification Plate						
0	Without Certification					

LD1.0 - M2 - 1 - I - 0 - H - 0



Specifications and information are subject to change without notice.
Up-to-date address information is available on our website.

web: www.smar.com/contactus.asp



LD1.0CE