



FYCAL

HART® / FOUNDATION™ fieldbus / PROFIBUS

CALIBRATION DEVICE FOR PRESSURE
TRANSDUCER OF THE FY POSITIONER

- Available for positioner valve with communication protocols: HART® (FY301 and FY400) FOUNDATION™ fieldbus (FY302) and PROFIBUS PA (FY303)
- Enables verification and calibration of the positioner piezo base
- Tool to help making the user self-sufficient in valve positioner maintenance
- Easy to use
- Ideal for both by engineers and instrumentation technicians



The FYCAL is a Calibration Device for Pressure Transducer - the piezo base - the part of the electro-pneumatic positioner of the Smar FY positioner.

The FYCAL, therefore, is destined for Smar FY positioner users for HART® (FY301 and FY400), FOUNDATION™ fieldbus (FY302), PROFIBUS PA (FY303) technologies.



The FYCAL designed to calibrate the piezo base at the instrumentation workshop. Ideal for both by engineers and instrumentation technicians. It is a mandatory tool for Smar positioner users performing corrective, predictive or pro-active maintenance programs.

This instrument is a result from Smar people's vast experience in providing support and assistance to their customers. The Checking and Calibration Device for Smar Valve Positioner is undoubtedly one more tool to help making the user self-sufficient in Smar products maintenance.



Power Supply

110 or 220 Vac - 50 or 60 Hz.

Pressure Input

0 to 100 psi (instrument air or industrial gases)

Output Signals

- 0 to 100 Vdc input for the piezoelectric sensor power supply;
- 4 to 20 mA (1µA resolution);
- Continuous or step increase through potentiometer.

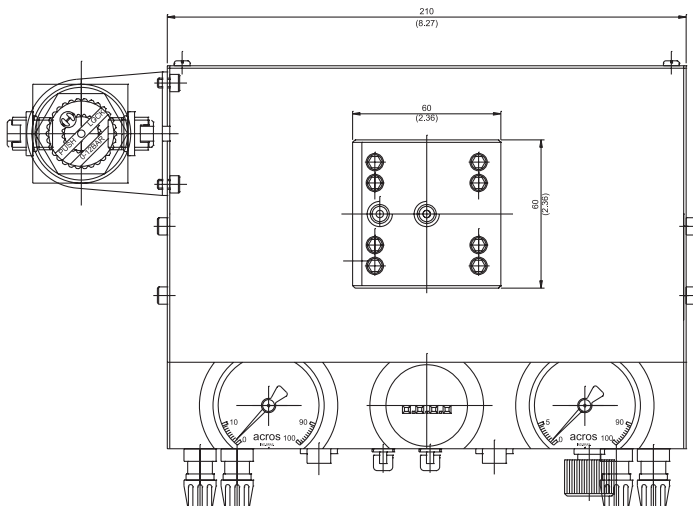
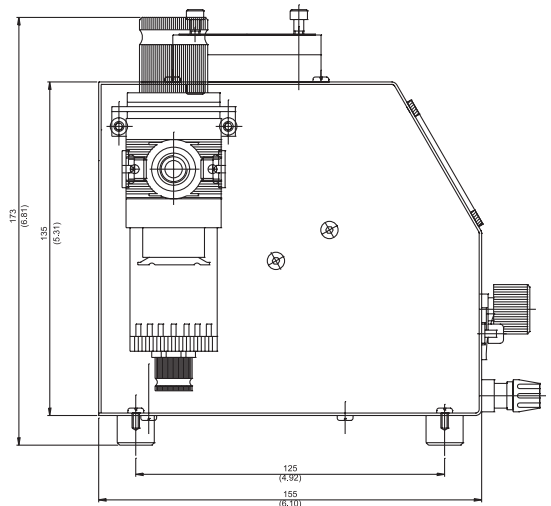
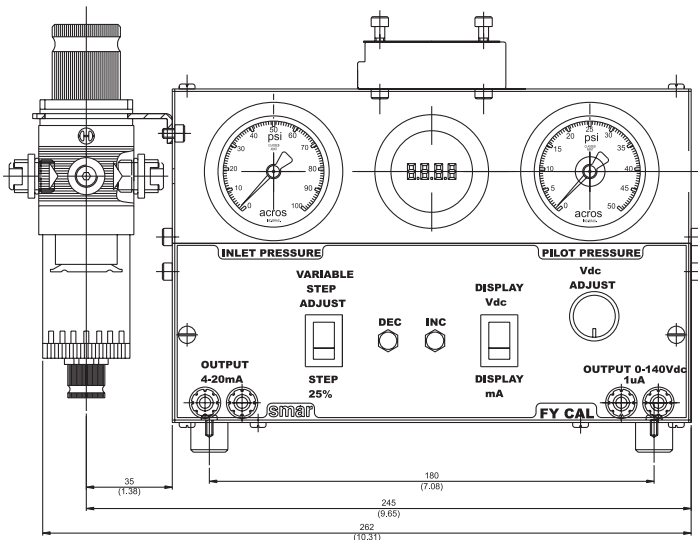
The product includes:

- A calibration tool;
- A pair of cables to connect the FYCAL to the piezo base;
- A pair of cables to connect the 4 to 20 mA FYCAL output to the positioner;
- A filter regulator at the pressure input.



Dimensions

Dimensions are in (inches).



smar
www.smar.com

Specifications and information are subject to change without notice.
Up-to-date address information is available on our website.

web: www.smar.com/contactus.asp

